

BOLT LED

IP67 CLASS I CE

FEATURES & BENEFITS

- > High resistance to UV and oxidation - Suitable for marine environments
- > Excellent heat dissipation
- > Average rated LED life: >50,000hrs (L70/B50)
- > Optimum colour consistency - 3 step MacAdam chromaticity tolerance
- > Supported load: 2000Kg



PERFORMANCE

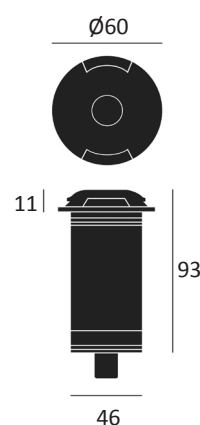
Light source	LED COB (Nichia)
Distribution	Symmetric
LED output	280lm
Luminaire output	224lm
CRI	>80
Beam angle	80° each aperture

MATERIALS

Body	Aluminium 6262 (minimum 20µm thickness) Brass MS58
Finish	Grey anodised aluminium / Brass
Diffuser	Clear polycarbonate, minimum 6mm thick, with temperature resistant silicone seal
Mounting	Recessed polycarbonate housing, Ø50mm, 130mm deep

OPTIONS

- > IP68 connector
- > Coloured films
- > CRI>90 on request



LAMP	COLOUR TEMP	DELIVERED LUMENS	APERTURES	STANDARD DRIVER	
				ALUMINIUM	BRASS
2.1W	3000K	224lm	One	70800401	70800701
2.1W	3000K	224lm	Two	70800501	70800801
2.1W	3000K	224lm	Four	70800601	70800901

CIRCLET LED

IP67 CLASS I CE

FEATURES & BENEFITS

- > High resistance to UV and oxidation - Suitable for marine environments
- > Excellent heat dissipation
- > Solid construction - 10 year warranty on the body
- > Average rated LED life: >50,000hrs (L70/B50)
- > Optimum colour consistency - 3 step MacAdam chromaticity tolerance

PERFORMANCE

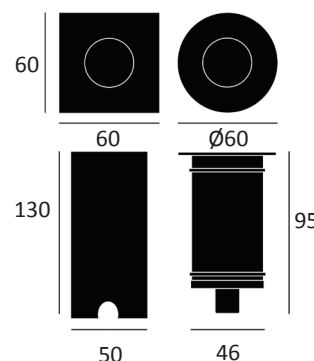
Light source	LED COB (Nichia)
Distribution	Symmetric
LED output	280lm
Luminaire output	224lm
CRI	≥80

MATERIALS

Body	Aluminium 6262 / Brass MS58 minimum 20µm thickness
Finish	Grey anodised aluminium / Brass
Diffuser	Clear polycarbonate, minimum 6mm thick, with temperature resistant silicone seal
Mounting	Recessed polycarbonate housing supplied, 130mm deep

OPTIONS

- > IP68 connector
- > Coloured filters and anti-glare honeycomb
- > Version with remote driver to run multiple luminaires
- > CRI>90 on request



LAMP	COLOUR TEMP	DELIVERED LUMENS	BEAM	CIRCULAR		SQUARE	
				ALUMINIUM	BRASS	ALUMINIUM	BRASS
2.1W	3000K	224lm	14°	70802001	70802301	70802601	70802901
2.1W	3000K	224lm	28°	70802101	70802401	70802701	70803001
2.1W	3000K	224lm	44°	70802201	70802501	70802801	70803101



IP67 CLASS III CE

MORFI LED

A cost-effective, in-ground LED luminaire available with various optional coloured filters to aesthetically enhance the environment. Ideal for pathways, gardens and building entrances.

MORFI LED

FEATURES & BENEFITS

- > Non-corrosive
- > Average rated LED life >50,000hrs (L80/B10)
- > Available with optional coloured filters
- > Optimum colour consistency - 3 step MacAdam ellipse tolerance

PERFORMANCE

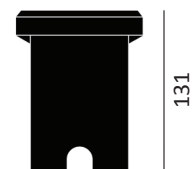
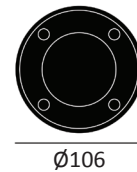
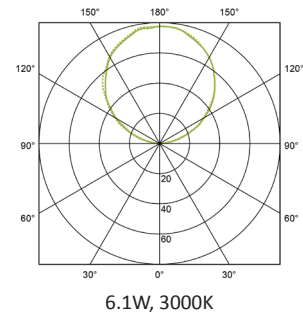
Light source	LED (Bridgelux)
LED output	908 - 1311lm
Luminaire output	726 - 1049lm
CRI	>80

MATERIALS

Body	Die-cast aluminium
Bezel	Stainless steel 316
Housing	Polycarbonate (included), cut out \varnothing 90mm
Diffuser	Frosted glass with silicone rubber gaskets
External fixings	Stainless steel 316 screws

OPTIONS

- > IP68 Connector
- > Coloured filters - red, yellow, blue, amber & magenta



LAMP	COLOUR TEMP	DELIVERED LUMENS	STANDARD
6.1W	3000K	726lm	76400101
6.1W	4000K	756lm	76400201
8.9W	3000K	1009lm	76400301
8.9W	4000K	1049lm	76400401



IP67 IK10 CLASS I CE

JUKE LED

A high-performance buried uplight, available in two different sizes, recommended for the illumination of architectural and natural features.

JUKE LED

FEATURES & BENEFITS

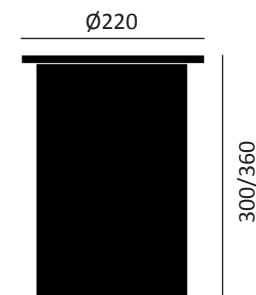
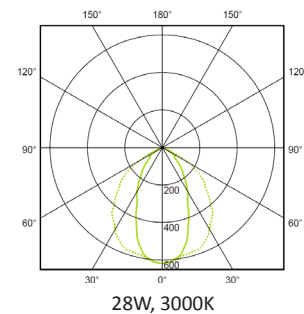
- > High resistance to oxidation
- > Excellent thermal management
- > Average rated LED life: >68,000hrs (L90/B10)
- > Optimum colour consistency - 2 step MacAdam ellipse tolerance
- > 2000Kg static load

PERFORMANCE

Light source	LED
LED output	2000 - 3000lm
Luminaire output	1690 - 2520lm
CRI	>80

MATERIALS

Body	Die-cast aluminium
Bezel	Stainless steel
Diffuser	10mm hardened glass with silicone gaskets to ensure the integrity of the IP rating
External fixings	Stainless steel
Mounting	Installation housing supplied



LAMP	COLOUR TEMP	DELIVERED LUMENS	DIMENSIONS	STANDARD
23W	3000K	1690lm	Ø220 x 300	70300101
23W	4000K	1799lm	Ø220 x 300	70300201
28W	3000K	2340lm	Ø220 x 300	70300301
28W	4000K	2520lm	Ø220 x 300	70300401
23W	3000K	1690lm	Ø270 x 360	70300501
23W	4000K	1799lm	Ø270 x 360	70300601
28W	3000K	2340lm	Ø270 x 360	70300701
28W	4000K	2520lm	Ø270 x 360	70300801



IP68 IK10 CLASS I CE

NEA LED

A drive-over, in-ground LED luminaire with a water lock system to ensure the integrity of its IP rating. Ideal for illuminating walls, small façades and trees.

NEA LED

FEATURES & BENEFITS

- > Water lock system
- > Static load 2500Kg
- > High resistance to oxidation
- > Multiple sizes, outputs and beam angles for design flexibility
- > Average rated LED life: >100,000hrs (L80/B10)
- > Optimum colour consistency—3 step MacAdam ellipse tolerance

PERFORMANCE

Light source	LED
Distribution	Symmetric
LED output	2000 - 3000lm
Luminaire output	1690 - 2520lm
CRI	>90
Beam angles	24° / 40° / 60° (Ø135) 10° / 15° / 28° / 38° / 71° / 72° (Ø245)

MATERIALS

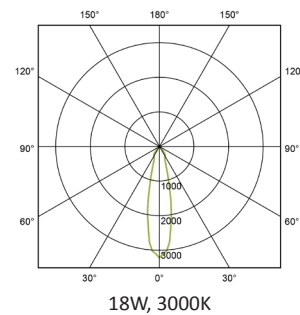
Body	Die-cast aluminium EN AB 44100
Bezel	316L stainless steel
Diffuser	Soda-lime tempered clear glass ≥12mm (<70°C/158°F)
External fixings	Stainless steel
Mounting	Recessed ground with polypropylene rough-in housing. Drainage area 300mm.
Wiring	M20 Ø7/13 cable gland with 0.5m cable

OPTIONS

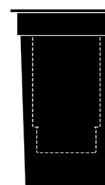
- > Square in-ground
- > Wire through connection



Optional Square version



Ø135/245



80/110/200/288

NEA LED

LAMP	COLOUR TEMP	DELIVERED LUMENS	BEAM	DIMENSIONS	STANDARD	DALI
7W	3000K	944lm	24°	Ø135 x 110	71400101	71400103
7W	4000K	975lm	24°	Ø135 x 110	71400201	71400203
7W	3000K	936lm	40°	Ø135 x 110	71400301	71400303
7W	4000K	967lm	40°	Ø135 x 110	71400401	71400403
7W	3000K	934lm	60°	Ø135 x 110	71400501	71400503
7W	4000K	966lm	60°	Ø135 x 110	71400601	71400603
12W	3000K	1626lm	24°	Ø135 x 200	71400701	71400703
12W	4000K	1671lm	24°	Ø135 x 200	71400801	71400803
12W	3000K	1612lm	40°	Ø135 x 200	71400901	71400903
12W	4000K	1657lm	40°	Ø135 x 200	71401001	71401003
12W	3000K	1610lm	60°	Ø135 x 200	71401101	71401103
12W	4000K	1655lm	60°	Ø135 x 200	71401201	71401203
18W	3000K	2268lm	24°	Ø135 x 80	71401301	71401303
18W	4000K	2340lm	24°	Ø135 x 80	71401401	71401403
18W	3000K	2248lm	40°	Ø135 x 80	71401501	71401503
18W	4000K	2320lm	40°	Ø135 x 80	71401601	71401603
18W	3000K	2245lm	60°	Ø135 x 80	71401701	71401703
18W	4000K	2316lm	60°	Ø135 x 80	71401801	71401803
18W	3000K	2054lm	10°	Ø245 x 288	71401901	71401903
18W	4000K	2120lm	10°	Ø245 x 288	71402001	71402003
18W	3000K	1803lm	28°	Ø245 x 288	71402101	71402103
18W	4000K	1860lm	28°	Ø245 x 288	71402201	71402203
18W	3000K	1808lm	71°	Ø245 x 288	71402301	71402303
18W	4000K	1866lm	71°	Ø245 x 288	71402401	71402403
32W	3000K	3823lm	15°	Ø245 x 288	71402501	71402503
32W	4000K	3939lm	15°	Ø245 x 288	71402601	71402603
32W	3000K	3588lm	38°	Ø245 x 288	71402701	71402703
32W	4000K	3697lm	38°	Ø245 x 288	71402801	71402803
32W	3000K	3900lm	72°	Ø245 x 288	71402901	71402903
32W	4000K	4019lm	72°	Ø245 x 288	71403001	71403003



IP67 IK10 CLASS I CE

JUKE LINEAR LED

A highly efficient, linear in-ground LED luminaire available with multiple optics. Ideal for illuminating parks, squares, entrances, gardens and pathways.

JUKE LINEAR LED

FEATURES & BENEFITS

- > High resistance to oxidation
- > Excellent thermal management
- > Average rated LED life: >60,000hrs (L80/B10)
- > Optimum colour consistency - 3 step MacAdam ellipse tolerance
- > 1000Kg static load

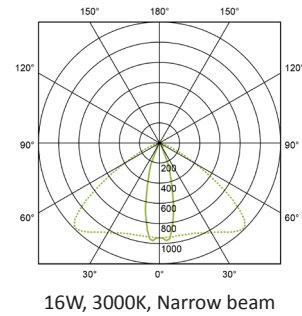


PERFORMANCE

Light source	LED
LED output	2201 - 4402lm
Luminaire output	1868 - 3614lm
CRI	>80

MATERIALS

Body	Aluminium profile treated to resist external conditions
Finish	Anthracite grey (RAL 7037)
Diffuser	10mm hardened glass with high class silicone gaskets to ensure the integrity of the IP rating
External fixings	Stainless steel
Mounting	Installation housing supplied

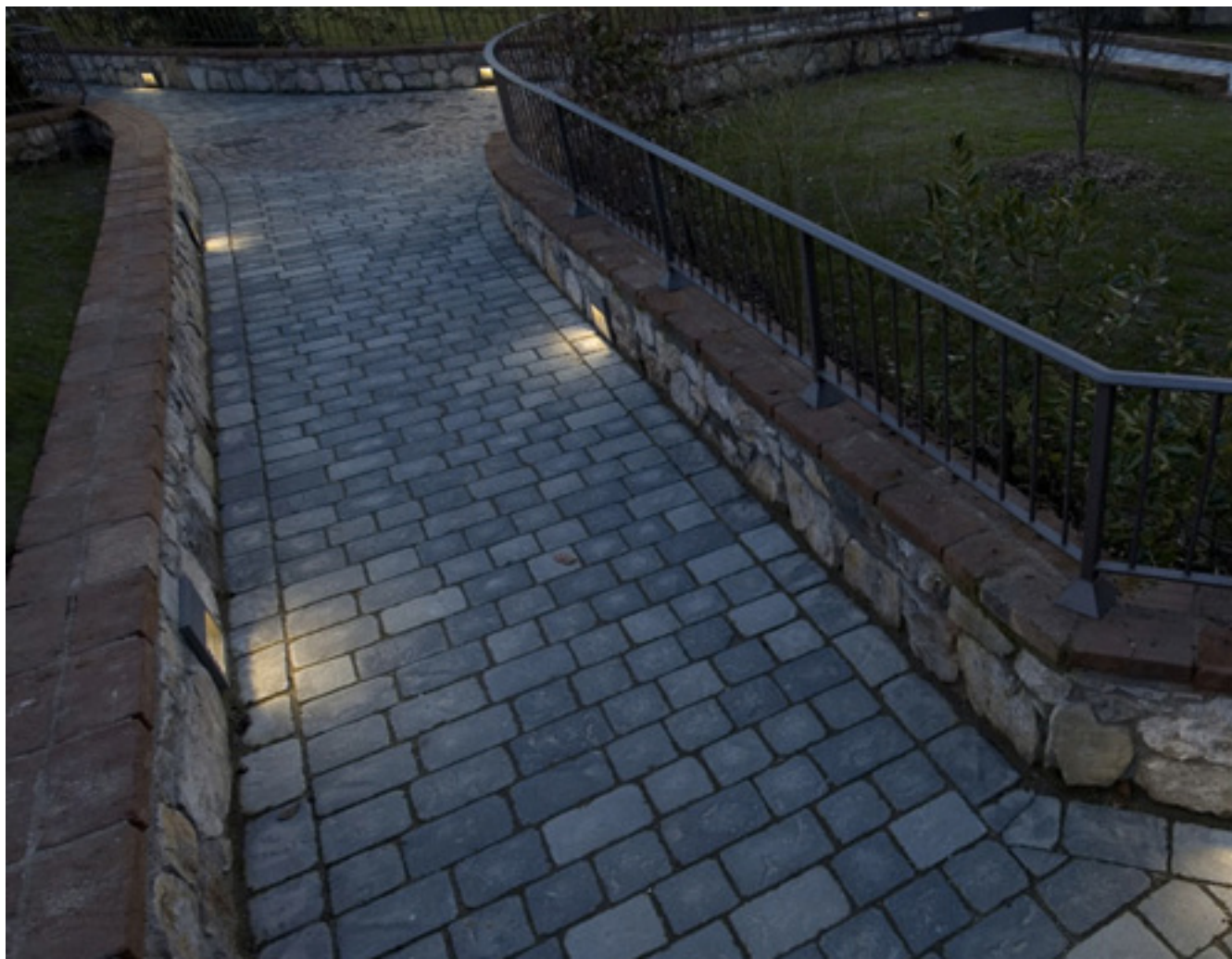


OPTIONS

- > 4000K



LAMP	COLOUR TEMP	DELIVERED LUMENS	BEAM	DIMENSIONS	STANDARD
16W	3000K	1868lm	Narrow	643 x 120	70301201
16W	3000K	1950lm	Medium	643 x 120	70301401
16W	3000K	2066lm	Wide	643 x 120	70301601
21W	3000K	2877lm	Narrow	962 x 120	70301801
21W	3000K	3002lm	Medium	962 x 120	70302001
21W	3000K	3182lm	Wide	962 x 120	70302201
32W	3000K	3737lm	Narrow	1243 x 120	70302401
32W	3000K	3900lm	Medium	1243 x 120	70302601
32W	3000K	3614lm	Wide	1243 x 120	70302801



IP65 IK09 CLASS I CE

AVALON LED

A high quality, die-cast aluminium exterior wall luminaire providing downward illumination.

Ideal for steps, walkways and walls.

AVALON LED

FEATURES & BENEFITS

- > Easy to open and maintain
- > High quality construction
- > High resistance to oxidation
- > Various sizes available, recessed and surface mounting
- > Provides illumination without any glare
- > Average rated LED life: >60,000hrs (L80/B10)

PERFORMANCE

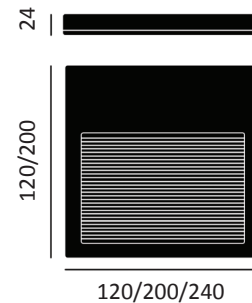
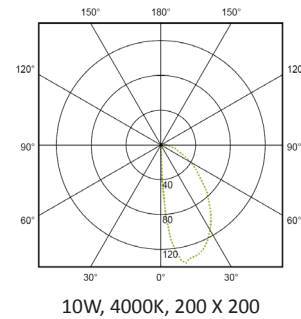
Light source	LED (Philips)
Distribution	Asymmetric
Luminaire output	408 - 1344lm
CRI	>90

MATERIALS

Body	Die-cast aluminium EN AB44100
Finish	Light grey / Anthracite grey
Diffuser	3mm thick soda-lime tempered glass, microprismatic
External fixings	Stainless steel A4-70
Mounting	Recessed/Surface
Wiring	Silicone Ø10/14mm cable gland

OPTIONS

- > 500mm & 800mm high versions
- > DALI



LAMP	COLOUR TEMP	LUMENS	DIMENSIONS	FINISH	RECESSED	SURFACE
3.5W	3000K	408lm	120 x 120	Anthracite grey	71701301	71703001
3.5W	4000K	448lm	120 x 120	Anthracite grey	71701501	71703201
10W	3000K	1224lm	240 x 120	Anthracite grey	71701701	71703401
10W	4000K	1344lm	240 x 120	Anthracite grey	71701901	71703601
10W	3000K	1224lm	200 x 200	Anthracite grey	71702101	71703801
10W	4000K	1344lm	200 x 200	Anthracite grey	71702301	71704001
3.5W	3000K	408lm	120 x 120	Light grey	71701401	71703101
3.5W	4000K	448lm	120 x 120	Light grey	71701601	71703301
10W	3000K	1224lm	240 x 120	Light grey	71701801	71703501
10W	4000K	1344lm	240 x 120	Light grey	71702001	71703701
10W	3000K	1224lm	200 x 200	Light grey	71702201	71703901
10W	4000K	1344lm	200 x 200	Light grey	71702401	71704101



IP66 IK06 CLASS I CE

SWALLOW LED

A compact, recessed wall luminaire ideal for pathways, driveways, entrances and similar applications.

SWALLOW LED

FEATURES & BENEFITS

- > High resistance to UV and oxidation
- > Shock resistant glass diffuser
- > Optimum colour consistency - 3 step MacAdam ellipse tolerance
- > Average rated LED life: >100,000hrs (L80/B10)
- > Shallow recessing depth

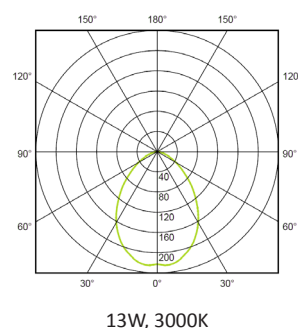


PERFORMANCE

Light source	LED
Distribution	Symmetric
LED output	820 - 2140lm
Luminaire output	222 - 912lm
CRI	>85
Beam angle	110 degrees

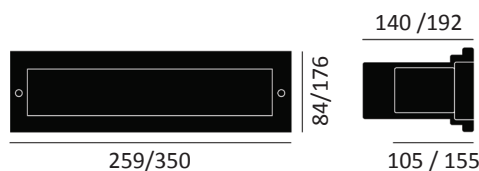
MATERIALS

Body	Die-cast aluminium EN AB 44100
Finish	Stainless steel A4-70
Diffuser	5mm soda-lime tempered acid-etched glass with sealing gasket
External fixings	Stainless steel A4-70 treated with water repellent lubricating solution.
Housing	Polypropylene (supplied)
Wiring	Double Ø10/14 mm silicone cable gland



OPTIONS

- > Grill option (6W only)
- > IP68 easy connector



LAMP	COLOUR TEMP	DELIVERED LUMENS	DIMENSIONS	STANDARD	DALI
6.2W	3000K	222lm	259 x 84	74600101	74600103
6.2W	4000K	227lm	259 x 84	74600201	74600203
13W	3000K	868lm	350 x 176	74600301	74600303
13W	4000K	912lm	350 x 176	74600401	74600403



IP67 IK10 CLASS I CE

APIS LED

A decorative, recessed wall mounted LED luminaire with an excellent light distribution.

Suitable for interior or exterior applications such as pathways, entrances, decking and stairwells.

APIS LED

FEATURES & BENEFITS

- > High resistance to UV and oxidation
- > Even light distribution - no spotting
- > Average rated LED life >50,000hrs (L80/B10)
- > Optimum colour consistency - 3 step MacAdam ellipse tolerance

PERFORMANCE

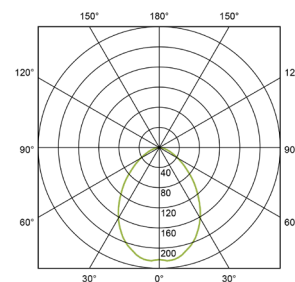
Light source	LED
LED output	400 - 2140lm
Luminaire output	170 - 911lm
CRI	>80
Beam angle	110°

MATERIALS

Body	Die-cast aluminium EN AB 44100
Finish	316L stainless steel
Diffuser	≥8mm soda-lime tempered glass with sealing gasket
External fixings	Stainless steel A4-70 treated with water repellent lubricating solution.
Wiring	M16 Ø 5/10 mm (4.3W & 7W versions) M16 Ø 10/14 mm silicone bushing (13W version)

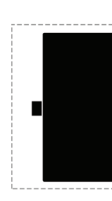
OPTIONS

- > Polypropylene rough-in housing, IP68 connectors
- > Second cable entry
- > Colour filters



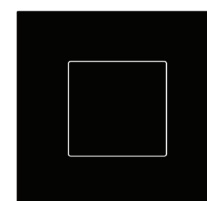
13W, 3000K

115/135/145



80/90/105

90/135/245



90/135/245

LAMP	COLOUR TEMP	DELIVERED LUMENS	DIMENSIONS	STANDARD
4.3W	3000K	170lm	90 x 90 x 135	76000101
4.3W	4000K	170lm	90 x 90 x 135	76000201
7W	3000K	445lm	135 x 135 x 115	76000301
7W	4000K	460lm	135 x 135 x 115	76000401
13W	3000K	869lm	245 x 245 x 145	76000501
13W	4000K	912lm	245 x 245 x 145	76000601

ACURA LED

IP65

IK07

CLASS
I

C E

FEATURES & BENEFITS

- > High resistance to UV and oxidation
- > Average rated LED life: >50,000hrs (L80/B10)
- > Optimum colour consistency - 3 step MacAdam chromaticity tolerance

PERFORMANCE

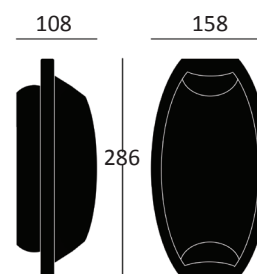
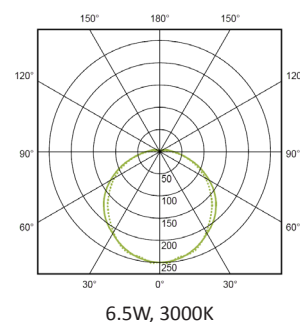
Light source	LED
Distribution	Symmetric
LED output	1020 - 1070lm
Luminaire output	864 - 906lm
CRI	>85

MATERIALS

Body	Die-cast aluminium
Finish	Anthracite grey / Light grey
Diffuser	Borosilicate glass, clear
External fixings	Stainless steel A4-70
Wiring	Silicone bushing \varnothing 10/14mm

OPTIONS

- > DALI



LAMP	COLOUR TEMP	DELIVERED LUMENS	ANTHRACITE GREY	LIGHT GREY
6.5W	3000K	864lm	76200101	76200201
6.5W	4000K	906lm	76200301	76200401

ARIZONA LED

IP65 IK10 CLASS I CE

FEATURES & BENEFITS

- > High resistance to UV and oxidation
- > Vandal resistant
- > Average rated LED life >50,000hrs (L80/B10)
- > Optimum colour consistency - 3 step MacAdam ellipse tolerance
- > Available with/without various decorative grills

PERFORMANCE

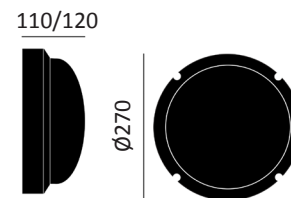
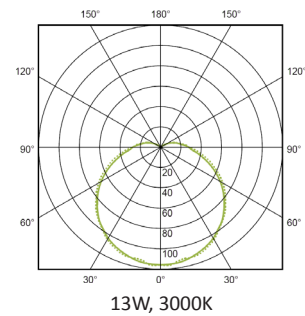
Light source	LED
LED output	2040 - 2090lm
Luminaire output	1006 - 1055lm
CRI	>85

MATERIALS

Body	Die-cast aluminium EN AB 44100
Finish	Anthracite grey / Light grey
Diffuser	Opal polycarbonate
External fixings	Stainless steel A4-70 treated with water repellent lubricating solution
Mounting	Surface wall / ceiling

OPTIONS

- > 3hr emergency
- > Eyelid design



LAMP	COLOUR TEMP	DELIVERED LUMENS	DIMENSIONS	TYPE	ANTHRACITE GREY	LIGHT GREY
13W	3000K	1006lm	270 x 110	Opal	75500101	75500201
13W	4000K	1055lm	270 x 110	Opal	75500301	75500401
13W	3000K	1006lm	270 x 120	Cross-Grill	75500501	75500601
13W	4000K	1055lm	270 x 120	Cross-Grill	75500701	75500801
13W	3000K	1006lm	270 x 120	Star-Grill	75500901	75501001
13W	4000K	1055lm	270 x 120	Star-Grill	75501101	75501201

TUBO WALL IP65

IP65 CLASS I CE

An architectural, wall-mounted cylindrical LED luminaire that can provide both direct and direct/indirect illumination. Suitable for use indoors and outdoors.

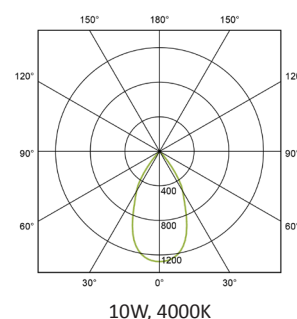
FEATURES & BENEFITS

- > Elegant design with clean, smooth lines
- > Average rated LED life: >60,000hrs (L90/B10)
- < Optimum colour consistency - 3 step MacAdam ellipse tolerance



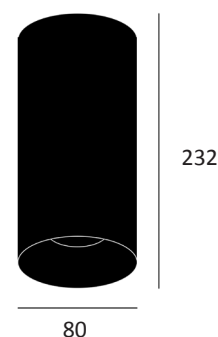
PERFORMANCE

Light source	LED
LED output	1510 - 4030lm (Direct) 2110 - 3100lm (Direct/Indirect)
Luminaire output	1100 - 2940lm (Direct) 1820 - 2260lm (Direct/Indirect)
Luminaire efficiency	≥ 105lm/W
CRI	>80
Beam angle	50° (Direct)



MATERIALS

Body	Aluminium profile
Finish	Anthracite grey / White / Black
Diffuser	Clear tempered glass



LAMP	COLOUR TEMP	LUMENS	DISTRIBUTION	BEAM	ANTHRACITE GREY	WHITE	BLACK
10W	3000K	1100lm	DIR	50°	43800101	43801301	43802501
10W	4000K	1130lm	DIR	50°	43800201	43801401	43802601
15W	3000K	1580lm	DIR	50°	43800301	43801501	43802701
15W	4000K	1630lm	DIR	50°	43800401	43801601	43802801
26W	3000K	2860lm	DIR	50°	43800501	43801701	43802901
26W	4000K	2940lm	DIR	50°	43800601	43801801	43803001
15W	3000K	1820lm	DI/IN	15° / 15°	43800701	43801901	43803101
15W	4000K	1860lm	DI/IN	15° / 15°	43800801	43802001	43803201
15W	3000K	1800lm	DI/IN	70° / 15°	43800901	43802101	43803301
15W	4000K	1850lm	DI/IN	70° / 15°	43801001	43802201	43803401
20W	3000K	2200lm	DI/IN	50° / 50°	43801101	43802301	43803501
20W	4000K	2260lm	DI/IN	50° / 50°	43801201	43802401	43803601

PANAMERA LED

IP65 IK06 CLASS I CE

SECTION 12: EXTERIOR

FEATURES & BENEFITS

- > High resistance to UV and oxidation
- > Average rated LED life: >50,000hrs (L80/B10)
- > Optimum colour consistency - 3 step MacAdam chromaticity tolerance

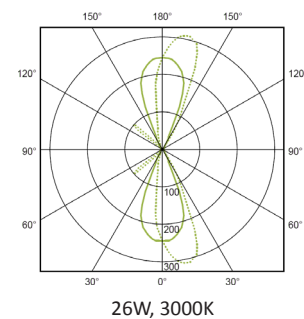


PERFORMANCE

Light source	LED
Distribution	Symmetric
Luminaire output	660 - 1425lm
CRI	>80
Beam angle	Flood

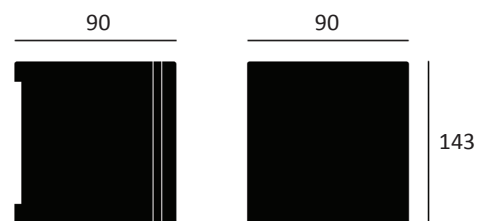
MATERIALS

Body	Die-cast aluminium EN AB 44100
Finish	Anthracite grey / Light grey
Diffuser	3mm soda-lime tempered acid etched glass
Mounting	Ceiling
External fixings	Stainless steel A4-70
Wiring	M20 cable gland \varnothing 7/13mm



OPTIONS

- > DALI



LAMP	COLOUR TEMP	DELIVERED LUMENS	DIMENSIONS	BEAM	ANTHRACITE GREY	LIGHT GREY
26W	3000K	1693lm	90 x 90 x 143	60°	76500101	76500201
26W	4000K	1742lm	90 x 90 x 143	60°	76500301	76500401



IP65 IK06 CLASS I CE

NEVADA LED

A high powered, wall mounted LED fixture that can be angled to provide upward or downward illumination.

Ideal for the illumination of entrances, passageways, courtyards and gardens.

NEVADA LED

FEATURES & BENEFITS

- > Various lumen outputs up to 6075lm
- > High resistance to UV and oxidation
- > Average rated LED life: >50,000hrs (L80/B10)
- > Optimum colour consistency - 3 step MacAdam ellipse tolerance
- > Uniform light distribution

PERFORMANCE

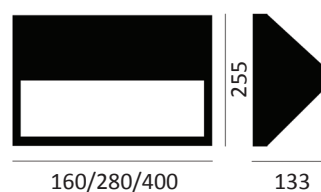
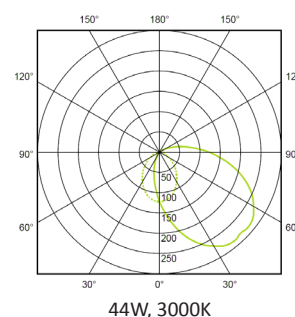
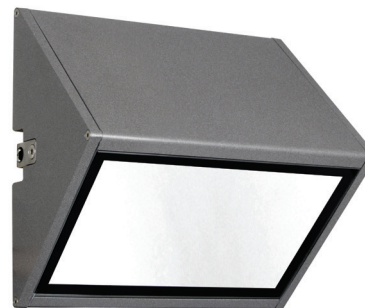
Light source	LED
Distribution	Symmetric
LED output	3500 - 11250lm
Luminaire output	1890 - 6075lm
Luminaire efficiency	≥85lm/W
CRI	>85

MATERIALS

Body	Extruded aluminium EN AW-6063
Finish	Anthracite grey / Light grey
Diffuser	10mm soda-lime tempered glass with sealing gasket
External fittings	Stainless steel A4-70 treated against oxidation
Wiring	Nickel-plated brass cable gland M16 Ø5.5 /10mm

OPTIONS

- > 3hr emergency



LAMP	COLOUR TEMP	DELIVERED LUMENS	DIMENSIONS	STANDARD		DALI	
				ANTHRACITE GREY	LIGHT GREY	ANTHRACITE GREY	LIGHT GREY
22W	3000K	1890lm	160 x 255 x 133	75900101	75900201	75900103	75900203
22W	4000K	2025lm	160 x 255 x 133	75900301	75900401	75900303	75900403
44W	3000K	3780lm	280 x 255 x 133	75900501	75900601	75900503	75900603
44W	4000K	4050lm	280 x 255 x 133	75900701	75900801	75900703	75900803
66W	3000K	5670lm	400 x 255 x 133	75900901	75901001	75900903	75901003
66W	4000K	6075lm	400 x 255 x 133	75901101	75901201	75901103	75901203



IP65 IK06 CLASS I CE

PHOENIX LED

A versatile, energy efficient, IP65 LED wall mounted luminaire that provides direct or direct and indirect illumination.

Suitable for a wide range of architectural, commercial and residential applications.

PHOENIX LED

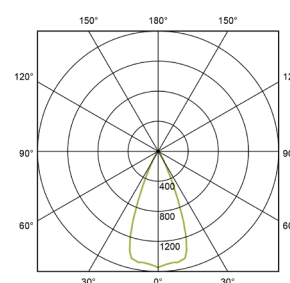
FEATURES & BENEFITS

- > Various lens options
- > High resistance to UV and oxidation
- > Average rated life: >50,000hrs (L80/B10)
- > Optimum colour consistency - 3 step MacAdam chromaticity tolerance
- > Easy to install and maintain



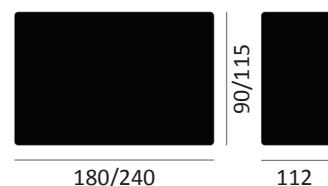
PERFORMANCE

Light source	LED
Distribution	Symmetric
LED output	1092 - 4440lm (DIR) 2 x 820lm - 2 x 2150 (DI-IN)
Luminaire output	936 - 3662lm (DIR) 2 x 697lm - 2 x 1820lm (DI-IN)
Lumen efficiency	≥94lm/W
CRI	>85
Beam angle	38 degree



MATERIALS

Body	Die-cast aluminium EN AB44100
Finish	Anthracite grey / Light grey
Diffuser	3mm soda-lime tempered clear glass
External fixings	Stainless steel A4-70
Wiring	Ø8/12mm cable entry



OPTIONS

- > DALI
- > Second cable entry

LAMP	COLOUR TEMP	DELIVERED LUMENS	DIMENSIONS	DISTRIBUTION	ANTHRACITE GREY	LIGHT GREY
10W	3000K	936lm	180 x 90	DIRECT	75700101	75700201
10W	4000K	1020lm	180 x 90	DIRECT	75700301	75700401
2 x 7W	3000K	2 x 697lm	180 x 90	DIRECT/INDIRECT	75700501	75700601
2 x 7W	4000K	2 x 748lm	180 x 90	DIRECT/INDIRECT	75700701	75700801
32W	3000K	3182lm	240 x 115	DIRECT	75700901	75701001
32W	4000K	3662lm	240 x 115	DIRECT	75701101	75701201
2 x 17W	3000K	2 x 1763lm	240 x 115	DIRECT/INDIRECT	75701301	75701401
2 x 17W	4000K	2 x 1820lm	240 x 115	DIRECT/INDIRECT	75701501	75701601



IP65 IK06 CLASS I CE

TARAGO LED

A versatile, energy efficient, IP65 LED projector luminaire that provides direct or direct and indirect illumination.

Suitable for a wide range of architectural, commercial and residential applications.

TARAGO LED

FEATURES & BENEFITS

- > Various lens options
- > High resistance to UV and oxidation
- > Optimum colour consistency - 3 step MacAdam tolerance
- > Easy to install and maintain
- > Average rated LED life: >50,000hrs (L80/B10)

PERFORMANCE

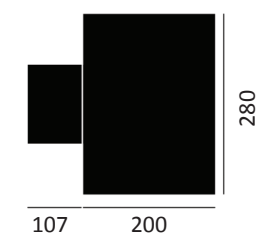
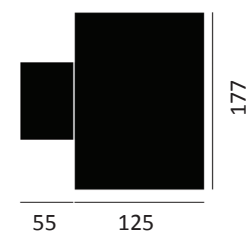
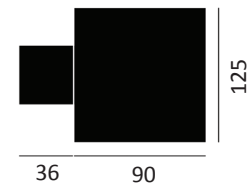
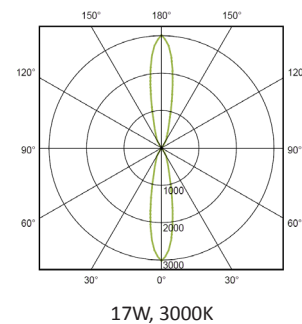
Light source	LED
Distribution	Symmetric
Emission	Direct / Direct & indirect
Luminaire output	1267 - 3666lm (DIR) 2 x 1269 - 2 x 2543 (DI-IN)
CRI	>90
Beam angle	14° - 71°

MATERIALS

Body	Extruded aluminium EN AB44100
Finish	Anthracite grey / Light grey
Diffuser	Stainless steel A4-70
External fittings	4mm soda-lime tempered clear glass
Wiring	M12 IP67 cable gland

OPTIONS

- > DALI
- > Coloured films



TARAGO LED

DIRECT ILLUMINATION

LAMP	COLOUR TEMP	DELIVERED LUMENS	BEAM	DIMENSIONS	STANDARD ANTHRACITE GREY	LIGHT GREY
12W	3000K	1267lm	32°	125 x 90 x 90	71810001	71810101
12W	4000K	1312lm	32°	125 x 90 x 90	71810201	71810301
16W	3000K	1760lm	14°	204 x 125 x 125	71810801	71810901
16W	4000K	1814lm	14°	204 x 125 x 125	71811001	71811101
16W	3000K	1581lm	35°	204 x 125 x 125	71811201	71811301
16W	4000K	1630lm	35°	204 x 125 x 125	71811401	71811501
26W	3000K	2464lm	28°	280 x 200 x 200	71812401	71812501
26W	4000K	2536lm	28°	280 x 200 x 200	71812601	71812701
26W	3000K	2470lm	71°	280 x 200 x 200	71812801	71812901
26W	4000K	2543lm	71°	280 x 200 x 200	71813001	71813101
39W	3000K	3542lm	28°	280 x 200 x 200	71813201	71813301
39W	4000K	3657lm	28°	280 x 200 x 200	71813401	71813501
39W	3000K	3551lm	71°	280 x 200 x 200	71813601	71813701
39W	4000K	3666lm	71°	280 x 200 x 200	71813801	71813901

DIRECT & INDIRECT ILLUMINATION

LAMP	COLOUR TEMP	DELIVERED LUMENS	BEAM	DIMENSIONS	STANDARD ANTHRACITE GREY	LIGHT GREY
24W	3000K	2 x 1267lm	32°	125 x 90 x 90	71810401	71810501
24W	4000K	2 x 1312lm	32°	125 x 90 x 90	71810601	71810701
32W	3000K	2 x 1760lm	14°	204 x 125 x 125	71811601	71811701
32W	4000K	2 x 1814lm	14°	204 x 125 x 125	71811801	71811901
32W	3000K	2 x 1581lm	35°	204 x 125 x 125	71812001	71812101
32W	4000K	2 x 1630lm	35°	204 x 125 x 125	71812201	71812301
52W	3000K	2 x 2464lm	28°	280 x 200 x 200	71814001	71814101
52W	4000K	2 x 2536lm	28°	280 x 200 x 200	71814201	71814301
52W	3000K	2 x 2470lm	71°	280 x 200 x 200	71814401	71814501
52W	4000K	2 x 2543lm	71°	280 x 200 x 200	71814601	71814701



IP65 CLASS I CE

CROOK LED

A totally unique and quirky LED bollard luminaire that is sure to create an eye-catching feature with wow-factor!

CROOK LED

FEATURES & BENEFITS

- > High resistance to oxidation
- > Tiltable +/- 45 degrees
- > Long LED life: >50,000hrs (L70/B50)
- > Optimum colour consistency - 3 step MacAdam ellipse tolerance

PERFORMANCE

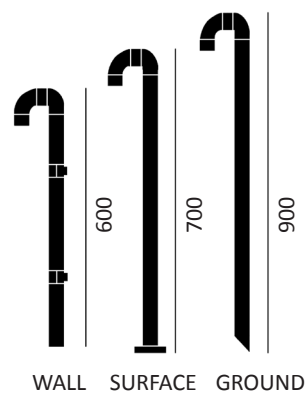
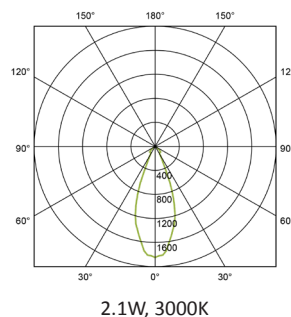
Light source	LED (Nichia)
LED output	280lm
Luminaire output	224lm
CRI	>80

MATERIALS

Body	Copper
Finish	Copper
Diffuser	Clear polycarbonate
Mounting	Ground / Wall / Spike

OPTIONS

- > 4000K
- > Coloured filters - red, green or blue
- > CRI>90



LAMP	COLOUR TEMP	DELIVERED LUMENS	BEAM ANGLE	APPLICATION	STANDARD
2.1W	3000K	224lm	14°	Ground	76700101
2.1W	3000K	224lm	28°	Ground	76700201
2.1W	3000K	224lm	44°	Ground	76700301
2.1W	3000K	224lm	14°	Wall	76700401
2.1W	3000K	224lm	28°	Wall	76700501
2.1W	3000K	224lm	44°	Wall	76700601
2.1W	3000K	224lm	14°	Spike	76700701
2.1W	3000K	224lm	28°	Spike	76700801
2.1W	3000K	224lm	44°	Spike	76700901



IP65 IK08 CLASS I CE

TOSCA BOLLARD

A general purpose, decorative bollard luminaire equipped with the latest generation of LEDs to effectively illuminate paths, parks, recreational and residential areas.

TOSCA BOLLARD

FEATURES & BENEFITS

- > High resistance to corrosion and UV
- > 360 degree illumination
- > Average rated LED life: >60,000hrs (L80/B10)
- > Optimum colour consistency - 3 step MacAdam ellipse tolerance

PERFORMANCE

Light source	LED
Luminaire output	1650 - 2000lm
CRI	>80

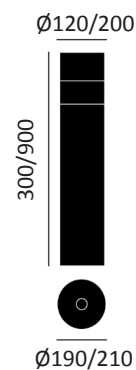
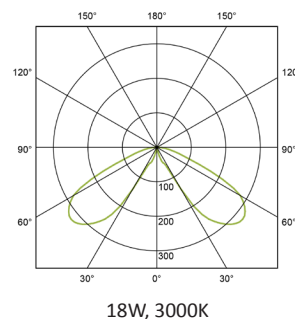


MATERIALS

Body	Die-cast aluminium
Finish	Anthracite grey / Light grey / Black
Diffuser	Clear polycarbonate
External fixings	Stainless steel
Mounting	Surface on concrete foundation

OPTIONS

- > 4000K
- > Coloured filters - red, green or blue
- > CRI >90



LAMP	COLOUR TEMP	DELIVERED LUMENS	DIMENSIONS	ANTHRACITE GREY	LIGHT GREY	BLACK
15W	3000K	1485lm	Ø200 x 300	76900101	76900901	76901701
15W	4000K	1650lm	Ø200 x 300	76900201	76901001	76901801
15W	3000K	1485lm	Ø200 x 900	76900301	76901101	76901901
15W	4000K	1650lm	Ø200 x 900	76900401	76901201	76902001
18W	3000K	1790lm	Ø120 x 300	76900501	76901301	76902101
18W	4000K	2000lm	Ø120 x 300	76900601	76901401	76902201
18W	3000K	1790lm	Ø120 x 900	76900701	76901501	76902301
18W	4000K	2000lm	Ø120 x 900	76900801	76901601	76902401



IP65 IK08 CLASS I CE

GOLF BOLLARD

A decorative, yet functional, LED bollard luminaire providing high-quality illumination from one or four sides.

Ideal for pedestrian routes and property entrances.

GOLF BOLLARD

FEATURES & BENEFITS

- > High resistance to UV and oxidation
- > Illuminated area: 565 x 100mm
- > Long average rated life: >76,000hrs (L90/B10)
- > Optimum colour consistency - 2 step MacAdam ellipse tolerance

PERFORMANCE

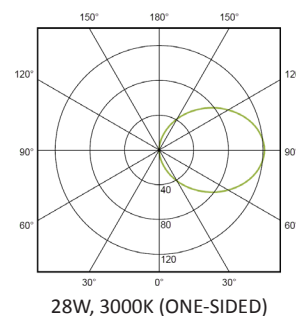
Light source	LED
LED output	3505lm
Luminaire output	810 - 936lm
CRI	>80

MATERIALS

Body	Aluminium profile
Finish	Anthracite grey (RAL 7016) / Light grey (RAL 9007)
Diffuser	Opal polycarbonate
Mounting	Installation base unit

OPTIONS

- > Version with open side panels
- > Lower output version with smaller illuminated panels
- > DALI
- > Steel plated anchorage unit



LAMP	COLOUR TEMP	DELIVERED LUMENS	APERTURES	FINISH	STANDARD
28W	4000K	810lm	One	Anthracite grey	76600101
28W	4000K	810lm	One	Light grey	76600201
28W	4000K	936lm	Four	Anthracite grey	76600301
28W	4000K	936lm	Four	Light grey	76600401



IP65 IK08 CLASS I CE

GREENLIGHT LED

A multi-functional LED pillar luminaire available in various heights and angles. Ideal for use on pathways, gardens, public and residential areas.

GREENLIGHT LED

FEATURES & BENEFITS

- > Cost effective discreet lighting solution for pathways and gardens
- > High resistance to oxidation
- > Suitable for interior and exterior use
- > Average rated LED life: >50,000hrs (L70/B50)
- > Optimum colour consistency - 3 step MacAdam ellipse tolerance

PERFORMANCE

Light source	LED
Distribution	90° or 115°
LED output	630 - 640lm
Luminaire output	480 - 490lm
CRI	>80

MATERIALS

Body	Aluminium profile treated to resist external conditions
Finish	Anthracite grey
Diffuser	Opal glass
Mounting	Steel, 3mm thick

OPTIONS

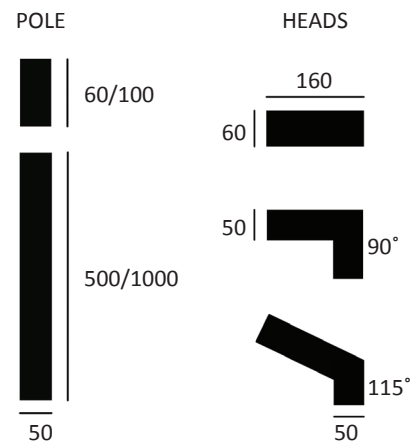
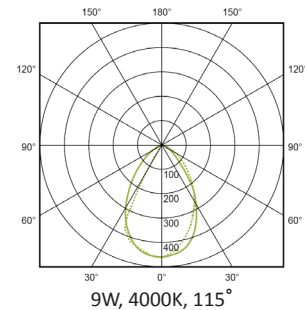
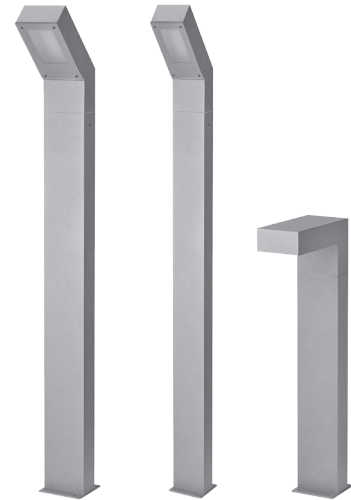
- > Other finishes on request
- > Concrete root mounting kit

BOLLARD POLE

HEAD DIMENSIONS	500MM HEIGHT	1000MM HEIGHT
50 x 60	90172701	90172702
50 x 100	90172703	90172704

BOLLARD HEAD

LAMP	COLOUR TEMP	DELIVERED LUMENS	HEAD ANGLE	HEAD DIMENSIONS	STANDARD	DALI
9W	3000K	480lm	115°	50 x 60	72700101	72700103
9W	4000K	490lm	115°	50 x 60	72700201	72700203
9W	3000K	480lm	90°	50 x 100	72700301	72700303
9W	4000K	490lm	90°	50 x 100	72700401	72700403
9W	3000K	480lm	115°	50 x 100	72700501	72700503
9W	4000K	490lm	115°	50 x 100	72700601	72700603





IP65 IK09 CLASS I CE

ZUPLA LED

A high quality, vandal resistant LED bollard, which is ideal for illuminating pedestrian walkways, building entrances and alleyways.

ZUPLA LED

FEATURES & BENEFITS

- > Power up to 6.8W from one side, 13.6W from 2 sides, 20.4W from 3 sides and up to 27.2W from 4 sides
- > Variable distribution outputs from each aperture
- > LEDs are concealed from view in the upper part of the luminaire

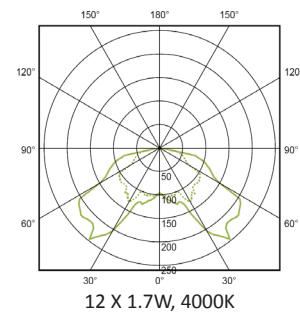


PERFORMANCE

Light source	LED
Luminaire output	304 - 2432lm
Distribution	Asymmetric with light distribution from one, two, three or four sides
CRI	>80

MATERIALS

Body	Die-cast aluminium
Finish	Anthracite grey
Mounting	Flange mounted on a solid surface



1 WINDOW

LAMP	COLOUR TEMP	LUMENS	LIGHT DISTRIBUTION	HEIGHT	STANDARD
2 x 1.7W	4000K	304lm	0/2/0/0	300	71307301
3 x 1.7W	4000K	456lm	0/3/0/0	300	71307401
4 x 1.7W	4000K	608lm	0/4/0/0	300	71307501
2 x 1.7W	4000K	304lm	0/2/0/0	600	71307601
3 x 1.7W	4000K	456lm	0/3/0/0	600	71307701
4 x 1.7W	4000K	608lm	0/4/0/0	600	71307801
2 x 1.7W	4000K	304lm	0/2/0/0	900	71307901
3 x 1.7W	4000K	456lm	0/3/0/0	900	71308001
4 x 1.7W	4000K	608lm	0/4/0/0	900	71308101

ZUPLA LED

2 WINDOW

LAMP	COLOUR TEMP	LUMENS	LIGHT DISTRIBUTION	HEIGHT	STANDARD
4 x 1.7W	4000K	608lm	2/0/2/0	300	71308201
6 x 1.7W	4000K	912lm	3/0/3/0	300	71308301
8 x 1.7W	4000K	1216lm	4/0/4/0	300	71308401
4 x 1.7W	4000K	608lm	2/0/2/0	600	71308501
6 x 1.7W	4000K	912lm	3/0/3/0	600	71308601
8 x 1.7W	4000K	1216lm	4/0/4/0	600	71308701
4 x 1.7W	4000K	608lm	2/0/2/0	900	71308801
6 x 1.7W	4000K	912lm	3/0/3/0	900	71308901
8 x 1.7W	4000K	1216lm	4/0/4/0	900	71309001

3 WINDOW

LAMP	COLOUR TEMP	LUMENS	LIGHT DISTRIBUTION	HEIGHT	STANDARD
6 x 1.7W	4000K	912lm	2/2/2/0	300	71309101
6 x 1.7W	4000K	1368lm	3/3/3/0	300	71309201
10 x 1.7W	4000K	1824lm	4/4/4/0	300	71309301
6 x 1.7W	4000K	912lm	2/2/2/0	600	71309401
6 x 1.7W	4000K	912lm	3/3/3/0	600	71309501
10 x 1.7W	4000K	1824lm	4/4/4/0	600	71309601
6 x 1.7W	4000K	912lm	2/2/2/0	900	71309701
6 x 1.7W	4000K	912lm	3/3/3/0	900	71309801
10 x 1.7W	4000K	1824lm	4/4/4/0	900	71309901

4 WINDOW

LAMP	COLOUR TEMP	LUMENS	LIGHT DISTRIBUTION	HEIGHT	STANDARD
8 x 1.7W	4000K	1216lm	2/2/2/2	300	71310001
12 x 1.7W	4000K	1824lm	3/3/3/3	300	71310101
16 x 1.7W	4000K	2432lm	4/4/4/4	300	71310201
8 x 1.7W	4000K	1216lm	2/2/2/2	600	71310301
12 x 1.7W	4000K	1824lm	3/3/3/3	600	71310401
16 x 1.7W	4000K	2432lm	4/4/4/4	600	71310501
8 x 1.7W	4000K	1216lm	2/2/2/2	900	71310601
12 x 1.7W	4000K	1824lm	3/3/3/3	900	71310701
16 x 1.7W	4000K	2432lm	4/4/4/4	900	71310801

AVALON BOLLARD LED

IP65 CLASS I CE

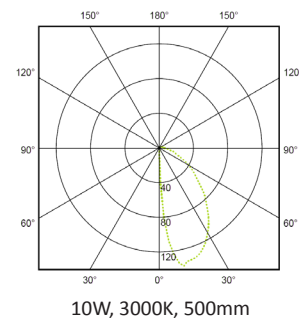
FEATURES & BENEFITS

- > High resistance to UV and oxidation
- > Shock resistant glass diffuser
- > Average rated LED life: >50,000hrs (L80/B10)
- > Optimum colour consistency - 3 step MacAdam ellipse tolerance
- > Complementary recessed/surface wall luminaire



PERFORMANCE

Light source LED
 Luminaire output 410 - 1340lm
 CRI >80

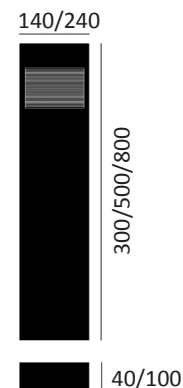


MATERIALS

Body Die-cast aluminium EN AB 44100 head with extruded aluminium base (EN AW 6060)
 Finish Polyester powder coated Anthracite grey / Light grey
 Diffuser Microprism with 4mm soda-lime tempered glass with sealing gasket
 External fixings Stainless steel A4-70 treated with water repellent lubricating solution.
 Wiring Ø10/14 mm silicone cable gland

OPTIONS

- > IP68 connector and through wiring connector
- > DALI on request
- > Steel plated anchorage unit



LAMP	COLOUR TEMP	LUMENS	DIMENSIONS	ANTHRACITE GREY	LIGHT GREY
3.5W	3000K	410lm	300 x 140 x 40	71710001	71710101
3.5W	4000K	450lm	300 x 140 x 40	71710201	71710301
3.5W	3000K	410lm	500 x 140 x 40	71710401	71710501
3.5W	4000K	450lm	500 x 140 x 40	71710601	71710701
10W	3000K	1220lm	500 x 240 x 100	71710801	71710901
10W	4000K	1340lm	500 x 240 x 100	71711001	71711101
10W	3000K	1220lm	800 x 240 x 100	71711201	71711301
10W	4000K	1340lm	800 x 240 x 100	71711401	71711501



IP65 CLASS I CE

SIRIUS LED

A cost-effective LED projector available in multiple outputs, beam angles and finishes.

SIRIUS LED

FEATURES & BENEFITS

- > Various lumen outputs up to 5376lm
- > Excellent thermal management. Suitable for ambient temperatures from -40°C to $+60^{\circ}\text{C}$
- > Average rated LED life: $>50,000\text{hrs}$ (L80/B10)
- > Wall mounting bracket with double pivot design for maximum adjustability ($2 \times 180^{\circ}$)
- > Fixing base plate 170 degree rotation

PERFORMANCE

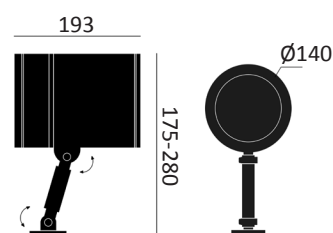
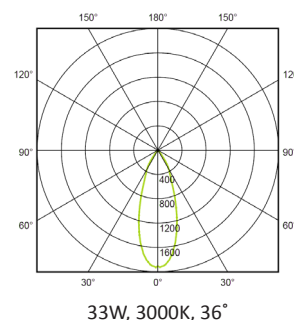
Light source	LED
Distribution	Symmetric
LED output	4020 - 6550lm
Luminaire output	3216 - 5240lm
CRI	>80

MATERIALS

Body	Die-cast aluminium
Finish	Grey / White / Black
Reflector	Alunova with spherical facets
Diffuser	Clear tempered glass with silicone gaskets
External fixings	Stainless steel screws
Driver	Tridonic (integral)

OPTIONS

- > Anti-glare honeycomb
- > Die-cast aluminium spike and IP68 connector
- > 4000K and lower outputs on request
- > Coloured filters - red, yellow, blue and green



LAMP	COLOUR TEMP	LUMENS	BEAM ANGLE	GREY	WHITE	BLACK
25W	3000K	3216lm	15°	76100101	76100201	76100301
25W	3000K	3216lm	36°	76100401	76100501	76100601
25W	3000K	3216lm	60°	76100701	76100801	76100901
33W	3000K	4064lm	15°	76101001	76101101	76101201
33W	3000K	4064lm	36°	76101301	76101401	76101501
33W	3000K	4064lm	60°	76101601	76101701	76101801
45W	3000K	5240lm	15°	76102801	76102901	76103001
45W	3000K	5240lm	36°	76103101	76103201	76103301
45W	3000K	5240lm	60°	76103401	76103501	76103601

ASPEN LED

IP65

IK07

CLASS
I

C E

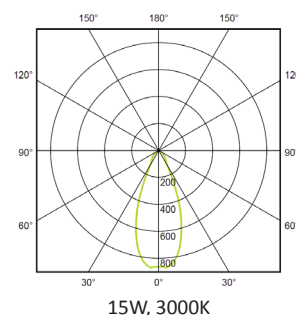
FEATURES & BENEFITS

- > Compact design
- > High resistance to UV and oxidation
- > Average rated LED life >50,000h (L80/B10)
- > Optimum colour consistency - 3 step MacAdam chromaticity tolerance
- > Light can be directed up or down making it ideal for lighting facades in small environments



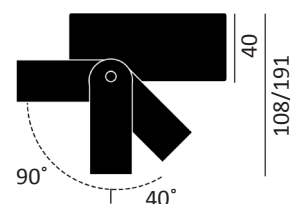
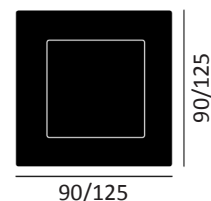
PERFORMANCE

Light source	LED
Distribution	Symmetric
LED output	650 - 1425lm
Luminaire output	483 - 702lm
CRI	>85
Beam angle	29° (8W) 26° / 42° (15W)
Swivel	40° - 90°



MATERIALS

Body	Die-cast aluminium
Finish	Anthracite grey / Light grey
Diffuser	4mm soda lime tempered clear glass
Mounting	U-bracket
External fixings	Stainless steel A4-70



OPTIONS

- > DALI
- > Coloured films
- > 200 x 200mm version, 19W
- > Spike

LAMP	COLOUR TEMP	LUMENS	DIMENSIONS	BEAM	ANTHRACITE GREY	LIGHT GREY
8W	3000K	483lm	90 x 90	29°	72100101	72100201
8W	4000K	505lm	90 x 90	29°	72100301	72100401
15W	3000K	584lm	125 x 125	16°	72100501	72100601
15W	4000K	617lm	125 x 125	16°	72100701	72100801
15W	3000K	665lm	125 x 125	42°	72100901	72101001
15W	4000K	702lm	125 x 125	42°	72101101	72101201

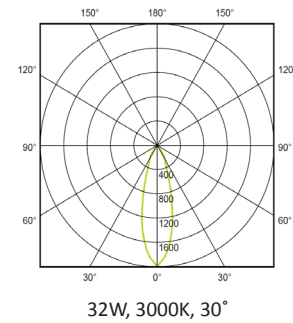
FEATURES & BENEFITS

- > High resistance to UV and oxidation
- > Average rated LED life: >100,000hrs (L80/B10)
- > Optimum colour consistency - 3 step MacAdam chromaticity tolerance
- > Light can be directed up or down making it ideal for lighting facades in small environments



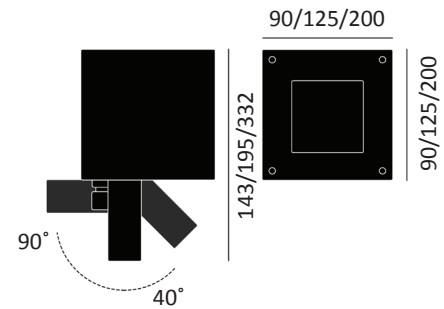
PERFORMANCE

Light source	LED
Distribution	Symmetric
LED output	1045 - 6920lm
Luminaire output	685 - 4171lm
CRI	>90
Beam angle	26° (7W) / 30° (32W) 35° (16W / 29W) - 14° on request 62° (47W) - 16° on request



MATERIALS

Body	Extruded aluminium EN-AB 44100
Finish	Anthracite grey / Light grey
Diffuser	4mm soda-lime tempered clear glass
External fixings	Stainless steel A4-70
Wiring	M16 cable gland
Mounting	U-Bracket



OPTIONS

- > DALI
- > Coloured film
- > Spike, vandal-proof grid and anti-glare louvre available

LAMP	COLOUR TEMP	DELIVERED LUMENS	DIMENSIONS	BEAM	ANTHRACITE GREY	LIGHT GREY
7W	3000K	685lm	90 x 90 x 143	26°	72400101	72400201
7W	4000K	708lm	90 x 90 x 143	26°	72400301	72400401
16W	3000K	1581lm	125 x 125 x 195	35°	72400901	72401001
16W	4000K	1630lm	125 x 125 x 195	35°	72401101	72401201
29W	3000K	2877lm	125 x 125 x 195	35°	72401701	72401801
29W	4000K	2966lm	125 x 125 x 195	35°	72401901	72402001
32W	3000K	3533lm	200 x 200 x 332	30°	72402101	72402201
32W	4000K	3640lm	200 x 200 x 332	30°	72402301	72402401
47W	3000K	4045lm	200 x 200 x 332	62°	72402501	72402601
47W	4000K	4171lm	200 x 200 x 332	62°	72402701	72402801



IP65 IK07 CLASS I CE

ALVIS LED

A series of high powered, technologically advanced, exterior spot lights, adjustable on both the horizontal and vertical axes.

Available in various sizes, outputs and beam angles along with different mounting options for maximum design flexibility.

ALVIS LED

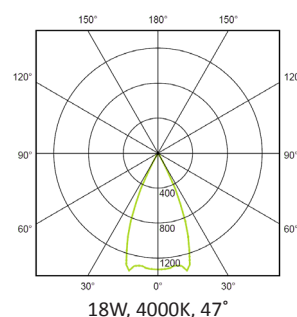
FEATURES & BENEFITS

- > Various mounting options - canopy base, spike and wall arm
- > High resistance to UV and oxidation
- > Optimum colour consistency - 3 step MacAdam chromaticity tolerance
- > Average rated LED life: >100,000hrs (L80/B10)
- > Fully adjustable on both the horizontal and vertical axes



PERFORMANCE

Light source	LED
Distribution	Symmetric
LED output	1800 - 8000lm
Luminaire output	1609 - 6639lm
CRI	>90
Beam angle	24° / 40° / 60° (12W) 12° / 47° (18W, 26W, 32W) 16° / 38° / 65° (55W)

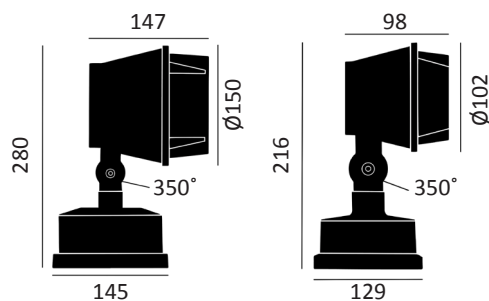


MATERIALS

Body	Die-cast aluminium EN AB 44100
Finish	Anthracite grey / Light grey
Diffuser	5mm soda-lime tempered clear glass with silicone sealing gasket

OPTIONS

- > DALI
- > Aluminium hood or black nylon stake
- > Anti-glare honeycomb louvre
- > Coloured films



ALVIS LED

LAMP	COLOUR TEMP	DELIVERED LUMENS	DIMENSIONS	BEAM	ANTHRACITE GREY	LIGHT GREY
12W	3000K	1626lm	Ø102	24°	75103701	75103801
12W	4000K	1670lm	Ø102	24°	75103901	75104001
12W	3000K	1612lm	Ø102	40°	75104101	75104201
12W	4000K	1657lm	Ø102	40°	75104301	75104401
12W	3000K	1609lm	Ø102	60°	75104501	75104601
12W	4000K	1655lm	Ø102	60°	75104701	75104801
18W	3000K	2248lm	Ø150	12°	75104901	75105001
18W	4000K	2320lm	Ø150	12°	75105101	75105201
18W	3000K	1848lm	Ø150	47°	75105301	75105401
18W	4000K	1907lm	Ø150	47°	75105501	75105601
26W	3000K	3073lm	Ø150	12°	75105701	75105801
26W	4000K	3162lm	Ø150	12°	75105901	75106001
26W	3000K	2525lm	Ø150	47°	75106101	75106201
26W	4000K	2599lm	Ø150	47°	75106301	75106401
32W	3000K	3852lm	Ø150	12°	75106501	75106601
32W	4000K	3977lm	Ø150	12°	75106701	75106801
32W	3000K	3166lm	Ø150	47°	75106901	75107001
32W	4000K	3269lm	Ø150	47°	75107101	75107201
55W	3000K	6440lm	Ø200	16°	75107301	75107401
55W	4000K	6639lm	Ø200	16°	75107501	75107601
55W	3000K	5384lm	Ø200	38°	75107701	75107801
55W	4000K	5550lm	Ø200	38°	75107901	75108001
55W	3000K	5809lm	Ø200	65°	75108101	75108201
55W	4000K	5989lm	Ø200	65°	75108301	75108401

ASPRILLA LED

IP66 IK10 CLASS II CE

A high-performance LED floodlight with excellent technical parameters to suit various architectural environments.

FEATURES & BENEFITS

- > Various lumen outputs
- > Long LED life - 80,000hrs (L90/B10)
- > Symmetric and asymmetric lens options
- > NTC thermal sensor to maintain stability
- > Supplied with vent filter as standard
- > Thoughtful design for easy installation
- > Surge protection
- > Photobiological hazard: RG0
- > Tilt angle 180°

PERFORMANCE

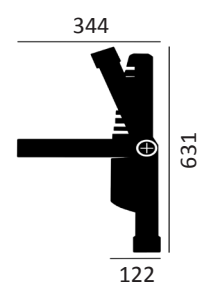
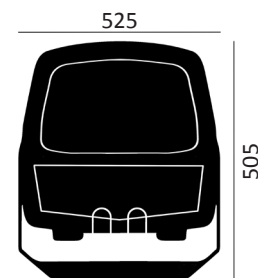
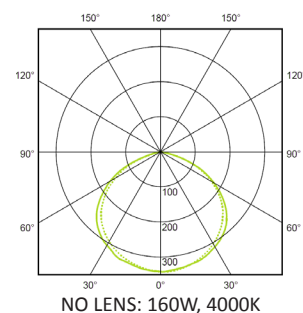
Light source	LED (Philips)
Distribution	Symmetric (no lens) Asymmetric (lens with vertex at 50°)
LED output	20800 - 46800lm
Luminaire output	19035 - 42825lm (SYM) 18235 - 41030 (ASYM)
Luminaire efficiency	≥130lm/W
CRI	>80

MATERIALS

Body	Die-cast aluminium
Finish	Anthracite grey (RAL 7039)
Diffuser	4mm tempered glass
Bracket	Steel, 3mm thick

OPTIONS

- > DALI
- > 3000K
- > Additional optics
- > Customised outputs



ASPRILLA LED

LAMP	COLOUR TEMP	DELIVERED LUMENS	OPTIC	STANDARD	DALI
140W	4000K	19035lm	Symmetric	75401501	75401503
175W	4000K	23790lm	Symmetric	75401601	75401603
210W	4000K	28550lm	Symmetric	75401701	75401703
245W	4000K	33310lm	Symmetric	75401801	75401803
280W	4000K	38070lm	Symmetric	75401901	75401903
315W	4000K	42825lm	Symmetric	75402001	75402003
140W	4000K	18235lm	Asymmetric	75402101	75402103
175W	4000K	22795lm	Asymmetric	75402201	75402203
210W	4000K	27350lm	Asymmetric	75402301	75402303
245W	4000K	31910lm	Asymmetric	75402401	75402403
280W	4000K	36470lm	Asymmetric	75402501	75402503
315W	4000K	41030lm	Asymmetric	75402601	75402603



Stainless steel security fixing nut.



Easy access to wiring compartment.

MONTREAL LED

IP66	IK10	CLASS I	CE
------	------	---------	----

FEATURES & BENEFITS

- > High resistance to UV and oxidation
- > Finned back for superior heat dissipation
- > Average rated LED life: >58,000hrs (L80/B10)
- > Optimum colour consistency - 3 step MacAdam ellipse tolerance
- > Surge protection up to 2/4Kv

PERFORMANCE

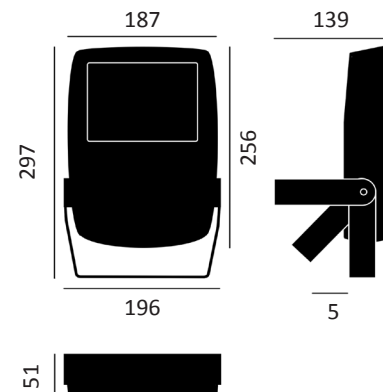
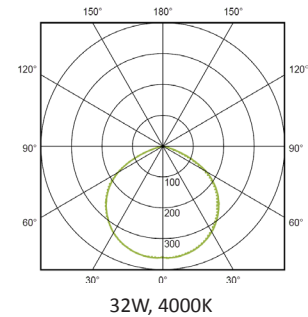
Light source	LED (Samsung)
LED output	2210 - 6520lm
Luminaire output	1965 - 5800lm
Lumen efficiency	≥139lm/W
CRI	>80

MATERIALS

Body	Die-cast aluminium
Finish	Anthracite grey (RAL 7039) / White / Black (RAL 9005) / Silver (RAL 9006)
Diffuser	4mm clear tempered glass
Mounting	Steel bracket
External fixings	Stainless steel

OPTIONS

- > DALI
- > 3000K
- > Protective vent system



LAMP	COLOUR TEMP	LUMENS	ANTHRACITE GREY	WHITE	BLACK	SILVER
12W	4000K	1965lm	72800101	72800201	72800301	72800401
17W	4000K	2705lm	72800501	72800601	72800701	72800801
24W	4000K	3560lm	72800901	72801001	72801101	72801201
32W	4000K	4450lm	72801301	72801401	72801501	72801601
37W	4000K	5800lm	72801701	72801801	72801901	72802001

WHITEHALL LED

IP65 IK08 CLASS I CE

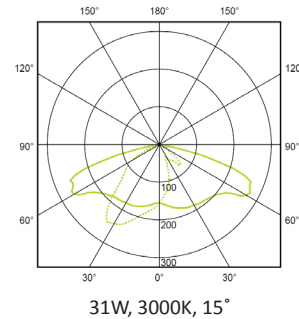
FEATURES & BENEFITS

- > High resistance to UV and oxidation
- > Mechanical system allows fixture locking and adjustment
- > Optimum colour consistency - 3 step MacAdam ellipse tolerance
- > Long LED life: >50,000hrs (L80/B10)
- > Maximum design flexibility - various lumen outputs and light distribution options



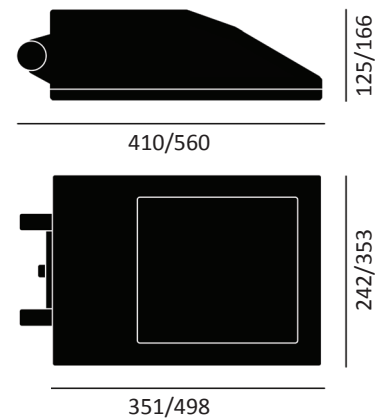
PERFORMANCE

Light source	LED (CREE)
Distribution	Asymmetric
LED output	4710lm - 16150lm
Luminaire output	3125 - 11380lm
CRI	>85



MATERIALS

Body	Die-cast aluminium EN AB 44100
Finish	Anthracite grey / light grey
Diffuser	Clear soda-lime tempered glass with a silicone sealing gasket
Mounting	U-bracket
External fixings	Stainless steel A4-70 treated with water-repellent lubricating solution.
Cable entry	Polypropylene M20 cable gland



OPTIONS

- > DALI on request
- > 3000K

LAMP	COLOUR TEMP	DELIVERED LUMENS	BEAM ANGLE	DIMENSIONS	ANTHRACITE GREY	LIGHT GREY
31W	4000K	3125lm	15°	410 x 242	74800301	74800401
31W	4000K	3319lm	55°	410 x 242	74800701	74800801
44W	4000K	4207lm	15°	410 x 242	74801101	74801201
44W	4000K	4467lm	55°	410 x 242	74801501	74801601
62W	4000K	6253lm	15°	560 x 353	74801901	74802001
62W	4000K	6640lm	55°	560 x 353	74802301	74802401
88W	4000K	8418lm	15°	560 x 353	74802701	74802801
88W	4000K	8939lm	55°	560 x 353	74803101	74803201
125W	4000K	10715lm	15°	560 x 353	74803501	74803601
125W	4000K	11380lm	55°	560 x 353	74803901	74804001



IP66 IK10 CLASS II CE

SKYLITE LED

A light, slim, extremely versatile street luminaire incorporating advanced LED and design technology.

Available with either a road or pedestrian lens, Skylite LED offers significant energy savings in comparison with conventional discharge lamps.

SKYLITE LED

FEATURES & BENEFITS

- > No UV / IR rays emitted
- > Long rated LED life: >80,000hrs (L80/B10)
- > High efficiency road or pedestrian optics ($\geq 93\%$)
- > Horizontal or vertical mounting
- > Design incorporates a vent filter to reduce condensation and equalize pressure to prevent seals from leaking.
- > Deep cooling fins for effective thermal management
- > Optimum colour consistency - 3 step MacAdam ellipse tolerance
- > PCB operates at a maximum temperature of 150°C and has a specific thermal conductivity of 1.5W/mK (dielectric layer)
- > Slim design - surface exposed to the wind: 0.213m²
- > Short circuit and surge protection
- > Zero flicker - wildlife friendly

PERFORMANCE

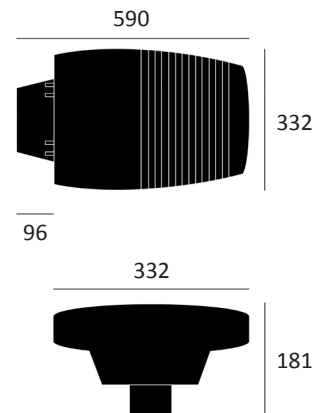
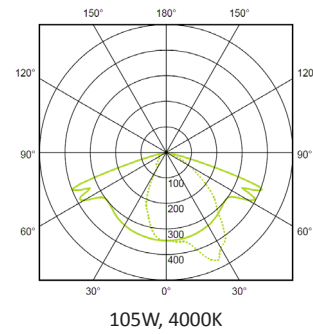
Light source	LED (Samsung)
LED output	5200 - 20800lm
Luminaire output	4475 - 17900lm
Lumen efficiency	128lm/W
CRI	80
Beam angle	120 degrees

MATERIALS

Body	Die-cast aluminium
Finish	Anthracite grey (RAL 7039)
Diffuser	4mm clear tempered glass
Mounting	Ø60mm poles (Road), Ø42mm poles (Pedestrian)

OPTIONS

- > Other RAL colours on request
- > 3000K / 5000K
- > Additional optics
- > DALI



SKYLITE LED

LAMP	COLOUR TEMP	LUMENS	OPTIC	MOUNTING HEIGHT	DIMENSIONS	STANDARD
35W	4000K	4475lm	Road	3-4m	Ø60	71901101
70W	4000K	8950lm	Road	4-5m	Ø60	71901201
105W	4000K	13420lm	Road	5-6m	Ø60	71901301
140W	4000K	17900lm	Road	6-8m	Ø60	71901401
35W	4000K	4475lm	Pedestrian	3-4m	Ø42	71901501
70W	4000K	8950lm	Pedestrian	4-5m	Ø42	71901601
105W	4000K	13420lm	Pedestrian	5-6m	Ø42	71901701
140W	4000K	17900lm	Pedestrian	6-8m	Ø42	71901801

CLUB LED

IP66 IK10 CLASS II CE

FEATURES & BENEFITS

- > Various lumen outputs
- > Long rated LED life >109,000hrs (L90/B10)
- > Easy to remove wiring plate
- > Surge protection up to 6/8 - 10 Kv
- > NTC thermal sensor to maintain stability
- > Zero flicker - wildlife friendly

PERFORMANCE

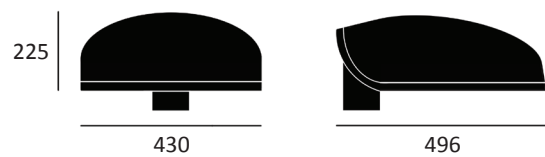
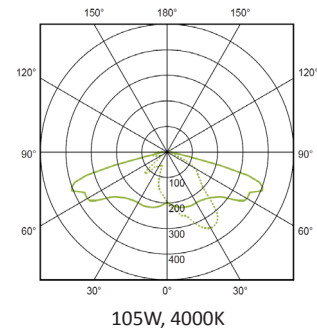
Light source	LED (Samsung)
Distribution	Asymmetric (vertex at 30°)
LED output	5200 - 26000lm
Luminaire output	4475 - 22795lm
Lumen efficiency	≥127lm/W
CRI	>80

MATERIALS

Body	Die-cast aluminium
Finish	Anthracite grey (RAL 7039)
Diffuser	4mm clear tempered glass
Mounting	Ø60mm pole

OPTIONS

- > Metal halide version
- > Adaptor for Ø40mm poles
- > Other colour temperatures - 3000K / 5000K
- > Road symmetrical lens (ideal for cycle paths)



LAMP	COLOUR TEMP	DELIVERED LUMENS	STANDARD	DALI
35W	4000K	4475lm	71000701	71000703
70W	4000K	8950lm	71000801	71000803
105W	4000K	13420lm	71000901	71000903
140W	4000K	17900lm	71001001	71001003
175W	4000K	22795lm	71101101	71101103



IP66 IK10 CLASS II CE

TRIDENT LED

A high powered, exterior LED floodlight with a modern elegant design.

Available with various lens options, it is ideal for lighting facades, gardens, shopping centres, streets, parks and residential areas.

TRIDENT LED

FEATURES & BENEFITS

- > Various lens options
- > Grooved design to facilitate heat dissipation
- > High resistance to chemical and atmospheric agents
- > Surge protection up to 6/8Kv
- > Protective vent system supplied as standard
- > Zero flicker - wildlife friendly
- > Average rated LED life: >80,000hrs (L80/B10)
- > Optimum colour consistency - 3 step MacAdam ellipse tolerance

PERFORMANCE

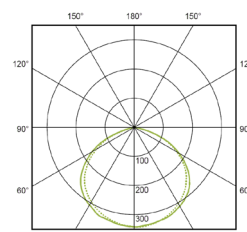
Light source	LED (Samsung)
Distribution	Symmetric / Asymmetric
LED output	5200 - 20,800lm
Luminaire output	4400 - 19,030lm
Luminaire efficiency	≥125lm/W
CRI	>80

MATERIALS

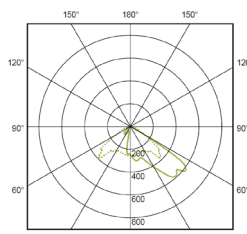
Body	Die-cast aluminium
Finish	Anthracite grey (RAL 7039)
Diffuser	4mm thick tempered clear glass
External fixings	Stainless steel
Mounting	Steel bracket / Pole

OPTIONS

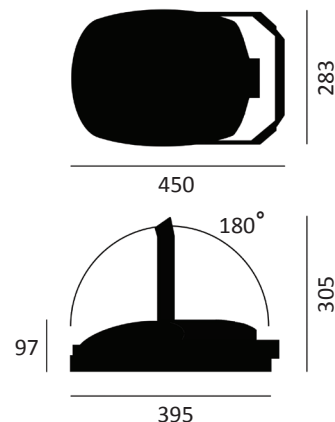
- > Single and twin pole adaptors Ø40mm / Ø60mm
- > Timed flow reduction
- > Other colour temperatures and optics
- > High temperature version
- > SPD 10Kv
- > Wall bracket
- > Garden spike



Symmetrical: 70W, 4000K



Asymmetrical: 70W, 4000K



TRIDENT LED

NO LENS - FOR INCREASED EFFICIENCY

LAMP	COLOUR TEMP	DELIVERED LUMENS	STANDARD	DALI
35W	4000K	4760lm	71103301	71103303
70W	4000K	9515lm	71103401	71103403
105W	4000K	14275lm	71103501	71103503
140W	4000K	19030lm	71103601	71103603

SYMMETRICAL LENS - IDEAL FOR CYCLE PATHS

LAMP	COLOUR TEMP	DELIVERED LUMENS	STANDARD	DALI
35W	4000K	4400lm	71103701	71103703
70W	4000K	8800lm	71103801	71103803
105W	4000K	13200lm	71103901	71103903
140W	4000K	17600lm	71104001	71104003

ASYMMETRICAL LENS 30° - MULTIPLE CLUSTER IN PMMA ROAD LENS

LAMP	COLOUR TEMP	DELIVERED LUMENS	STANDARD	DALI
35W	4000K	4475lm	71104101	71104103
70W	4000K	8950lm	71104201	71104203
105W	4000K	13420lm	71104301	71104303
140W	4000K	17900lm	71104401	71104403

ASYMMETRICAL LENS 50° - MULTIPLE CLUSTER IN PMMA

LAMP	COLOUR TEMP	DELIVERED LUMENS	STANDARD	DALI
35W	4000K	4560lm	71104501	71104503
70W	4000K	9120lm	71104601	71104603
105W	4000K	13670lm	71104701	71104703
140W	4000K	18235lm	71104801	71104803